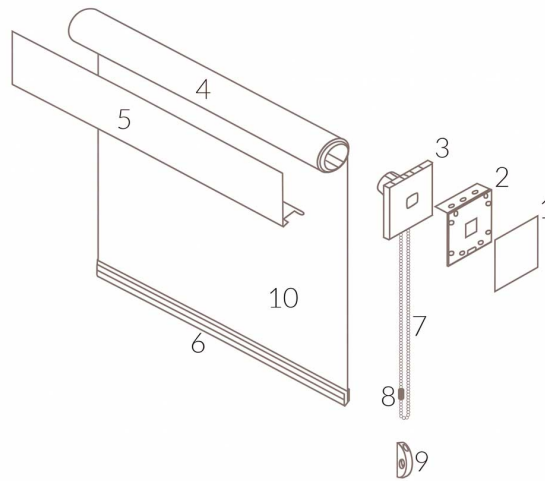


BASIC COMPONENTS



1. END CAPS

Decorative accessories that conceal the brackets (for outside mount).

2. BRACKET

The mounting point for the shade, either to the wall or ceiling, which supports the clutch.

3. CLUTCH

The mechanism that operates the rotation of the roller shade tube, subsequently raising and lowering the shade.

4. SHADE TUBE

The tube which the roller shade is attached to.

5. FASCIA

Aluminum cover that conceals the shade tube and controls.

6. HEM BAR

The bottom closure of a shade that contains weight.

7. BEAD CHAIN

Used to control the manual roller shade.

8. BALL STOPS

A large clip on bead which creates the upper and lower limit for the shade.

9. CHAIN HOLD DOWN

A plastic safety device affixed to the wall to keep the chain secure.

10. SHADE BAND

The actual shade fabric itself, referred to as the shade band.